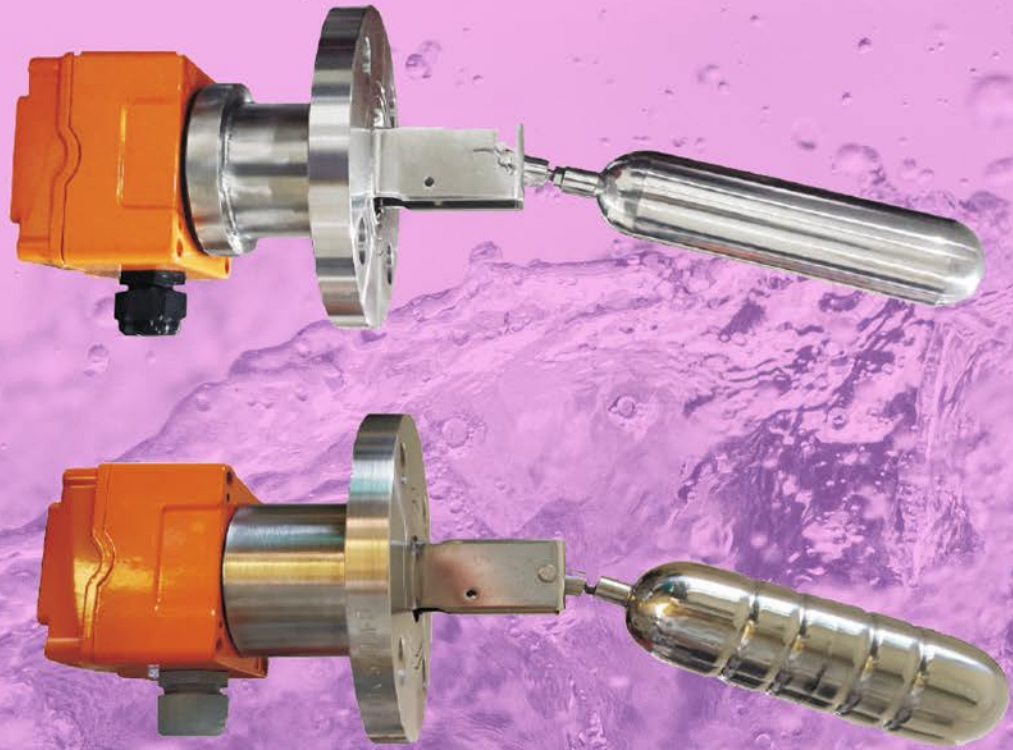




HORIZONTAL FLOAT LEVEL SWITCH

MODEL : HSSM



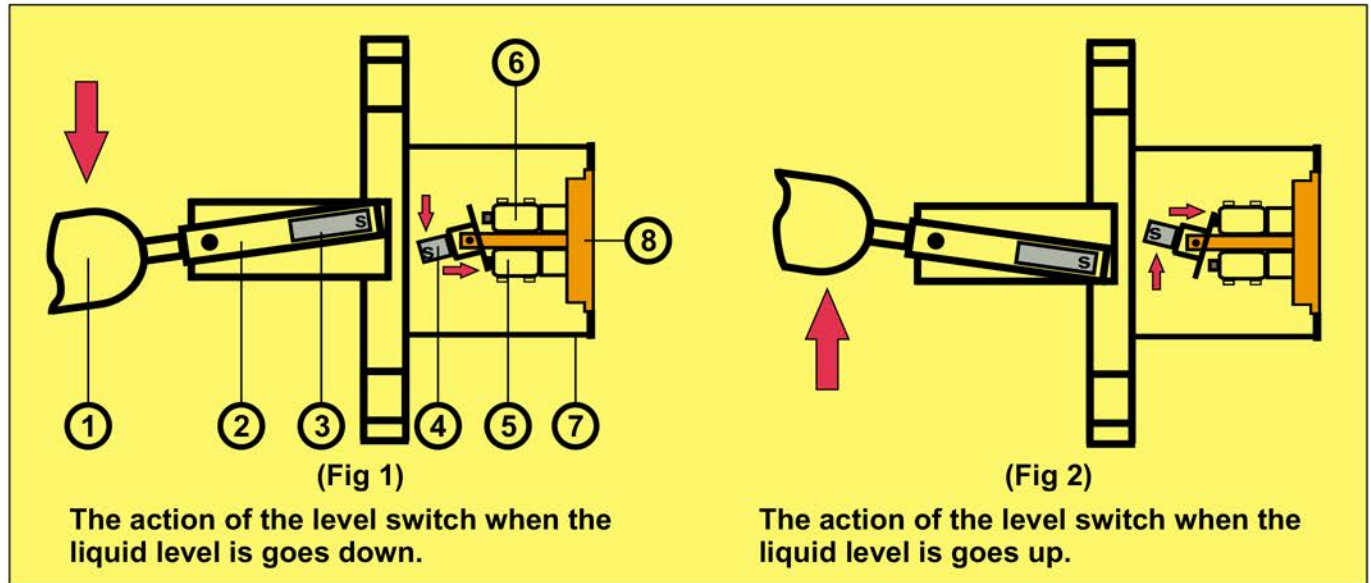
Using Magnetic coupling between the float and switch
Horizontal (Side) or Vertical (Top) Mounting
Usable for wide range of liquids
Compact size, Reliability and Long switch life.
Standard Output of 2 x SPDT Microswitch Dry Contact
Standard Terminal housing protection of IP-65
Immersion proof Housing in 304SS or 316SS on Request
Stainless steel and Explosion proof Terminal Box on Request
304SS or 316SS material for Chemical and Corrosive liquids
Applicable for standard temp up to 125 Deg C
High Temperature version up to 350 Deg C
Pressure standard at 16 Barg, others on request

DESCRIPTION

HSSM Series Horizontal Float Level Switch are installed through the Side or Top of the Tanks, Vessel or Pits. The HSSM level switch with standard output of 2 x SPDT micro switch can be used for control pumps in emptying or filling process as well as monitoring of High-High and Low-Low level alarms according to the applications requirement.

All the wetted parts material of HSSM are 304SS or 316SS, depend on the application and requirement.

OPERATION PRINCIPLE



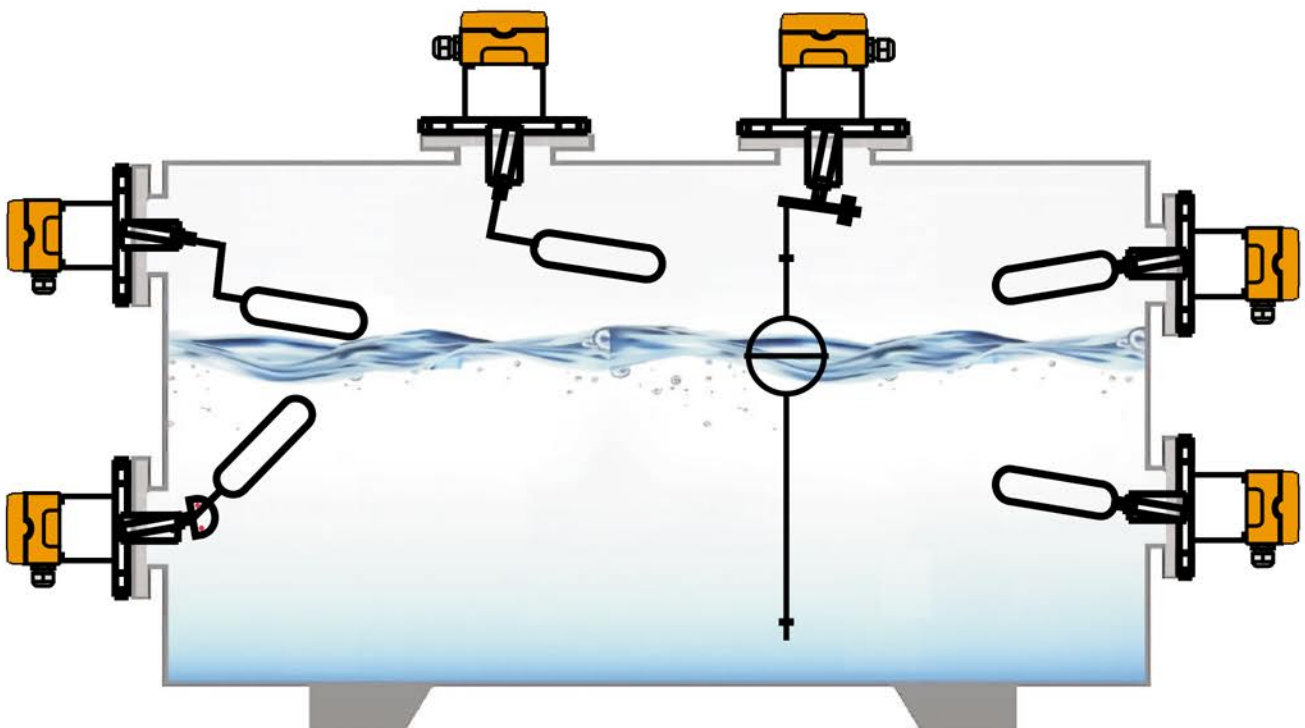
HSSM Horizontal Float level switch operation is based on a Float (1), Permanent magnet (3&4) and the micro switches (5).

The 2 units High Power Micro switches (5) are located inside the Stainless Steel chamber (7) in the Dry Area and couples by Permanent Magnet (4) that assembly together with PA66+30%GF part (8).

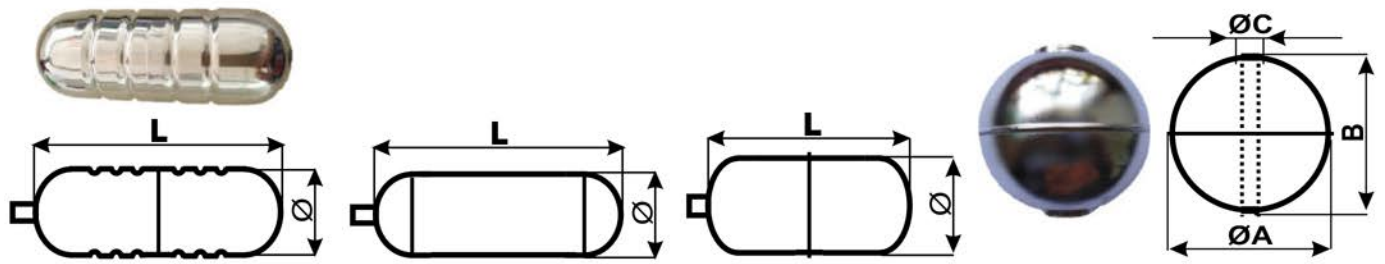
At the other side (Wet area) ,it have a float (1) with rod (2) and permanent magnet (3).

When the liquid level goes down (fig1) , the magnet (3) will repel the magnet (4) and the action of the magnet movement will activating the micro switch 1 (5) and when the liquid level goes up (fig2) the magnet (3) will repel the magnet (4) in the opposite side and will activating micro switch 2 (6).

APPLICATION SAMPLE

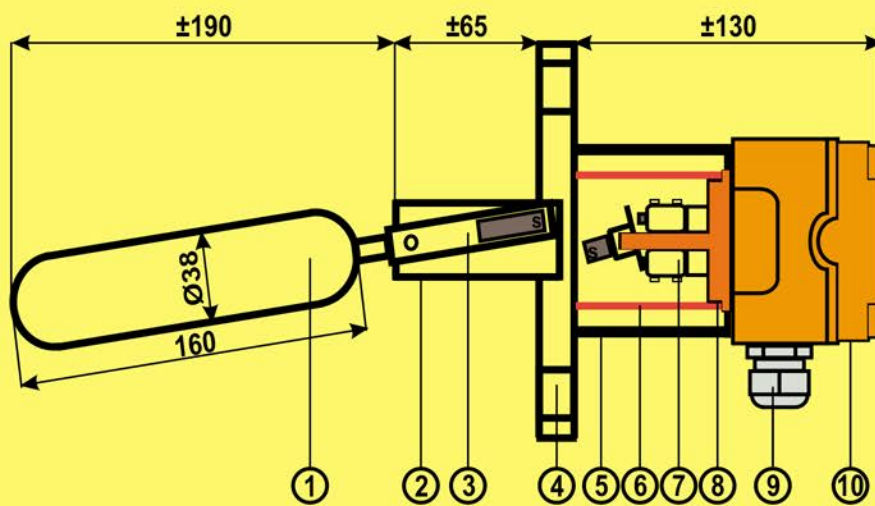


FLOAT SPECIFICATION



MODEL	MATERIAL	DIMENTION (MM)			SG Min (Kg/m ³)	P Max (Barg)	T Max (°C)	APPLICATION
		L	Ø					
FHS-38	316LSS	160	38		750	16	200	Water, Demin Water, Acids etc
FHS-50	316LSS	160	50		700	16	200	Water, Demin Water, Acids etc
FHS-60	316SS	120	62		750	16	200	Water, Demin Water, Acids etc
		ØA	B	ØC				
FHS-150/5	316SS	8	150	150	600	16	200	Water, Demin Water, Acids etc

SPECIFICATION



- 1 = Cylinder Float, 316SS
 - 2 = Float Guiding, 316SS
 - 3 = Float Rod + Magnet, 316SS
 - 4 = Flange or Screw Conn, 304SS/316SS
 - 5 = Switch Housing, 304SS
 - 6 = Micro switch Protection Cover, PA66+30%GF
 - 7 = Micro switch,
 - 8 = Micro switch Handle, PA66+30% GF
 - 9 = Electrical Conn, PG16, Polyamid, IP68
 - 10 = Terminal Housing, Aluminium, IP-65
- Options:
- Explosion proof, Exd IIC T6, IP-66
 - Stainless steel Housing, IP-65

MODEL	HSSM & HSSMV
APPLICATION	Water, Hot Water, Demin Water, Oil, Fuel Oil, Chemicals etc.
PRESS MAX (Barg)	10 Barg , Higher pressure available on request
TEMP MAX (Deg C)	130 °C Standard & 300 °C (High Temp Version)
SG MIN (Kg/m ³)	600 (Please see the float specs for details)
MOUNTING	HORIZONTAL & VERTICAL
PROCESS CONN	Flange (JIS, DIN or ANSI), Square Flange & Thread (NPT or BSP)
CONN SIZE MIN	1-1/2" Min (Flange & Thread)
FLOAT TYPE	FHS-38 (Min 1-1/2" Conn) & FHS-50 (Min 2" Conn) , FHS-60 (Min 2-1/2" Conn)
	FHS-150/8 (For HSSMV - VERTICAL TYPE)
FLOAT MATERIAL	316SS and 316LSS
FLOAT ROD & GUIDING	316SS
SWITCH HOUSING	304SS or 316SS
CONN MATERIAL	304SS or 316SS
TERMINAL HOUSING	Aluminium (DIN Housing & Ex-Proof, ATEX) , 304SS or 316SS
ELECT CONN	Polyamid Cable Gland, PG16 (DIN Housing) & 1/2" NPTF (SS Housing & ATEX)
OUTPUT CONTACT	2 x SPDT Contact, 5A



ORDERING CODE

MODEL	DESCRIPTION		
HSSM	Horizontal Float level Switch with Flange and Tube in SS304, Float in SS316L, Housing in Aluminium		
HSSM-V	Horizontal Float level Switch with Flange and Tube in SS304, Float in SS316L, Housing in Aluminium-Vertical		
CODE 1	PROCESS CONNECTION SIZE		
2	1-1/2" (40)	2" (50)	2-1/2" (65)
	3" (80)	4" (100)	Others Size, Please Contact
CODE 2	PROCESS CONNECTION TYPE AND RATING		
FJ	FJ = Flange JIS 10K	FA = Flange ANSI 150RF	FD = Flange DIN /PN10
CODE 3	CONTACT OUTPUT		
D2	D2 = 2 x SPDT Contact Output, 5A		
CODE 4	FLOAT TYPE		
FHS-38	FHS-38 (For Minimum Size 1-1/2" and Square Flange)		
	FHS-50 (For Minimum Size 2" and Square Flange)		
	FHS-60 (For Minimum Size 2-1/2" and Square Flange)		
	FHS150/5 (For Vertical type)		
CODE 5	OPTIONS		
0	No Options		
EX-ATEX	Aluminium Ex-Proof Housing, ATEX, Ex d IIC T6, IP-65		
HT	High Temperature up to 350 Deg C		
SS-4	304SS Housing, IP-65, Elect Conn, 1/2"NPT		
SS-6	316SS Housing, IP-65, Elect Conn, 1/2"NPT		
HSSM-2FJ-D2-FHS38-0 Example			



Measurement & Control

PT. WINGEL INSTRUMEN INDONESIA

Measurement & Control

Citra 8 - Aerolink Blok. L03 No. 25 - Citra Garden City

JAKARTA BARAT

Phone : 62-21-56955637, 56955638

Email : info@wingel.id / Webside : www.wingel.id