



PADDLE WHEEL FLOW TRANSMITTER

MODEL : FIT



- Accuracy : $\pm 0,75\%$ F.S. & Repeatability : $\pm 0,5\%$ F.S.
- Measuring Pipe Diameter : 25 - 600 mm (1 - 24 Inch)
- Measuring Flow Range : 0,15 - 8 m/s
- Display Range : 0~99999 (Rate), 0~99999999 (Totalizer) & 4 Flow units selectable
- Sampling Cycle : 0,5 / 1,0 / 2,5 / 5,0 second selective
- Parameters Setting : Push Button , Back up Memory : EEPROM
- Options Output : 2 x SPST Relays, 5A / 250VAC, 5A/30VDC
- Options with Analog Output 4-20 mA and RS485 Modbus RTU Mode
- Baud Rate : 19200/9600/4800/2400 bps & Comm Address : "00" - "FF" (0 - 255)
- Options Output signal : Transistor NPN open collector (<30mA), Max DC60V/100mA.
- Rotor Material : PFA + Magnetic, Seal Material : FKM (Viton)
- Axis and Bearing Material : Zirconia Ceramic (ZrO₂) & (SL-P/V)
- Viscosity Range : 0,5 to 20 Centi stokes (cst)
- Max Impurity Particles : < 10% (particle), < 0,5mm (particle size)
- Operating Temperature : 0~60 °C & Humidity : 20~90% RH (non-condensing)
- Storage Temperature : PP Body (180 psi @ -20~27 °C, 25 psi @ 85 Deg C
- : PVDF Body (200 psi @ -30~27 g C)
- Power Supply : DC 15 - 24 V
- Protection : NEMA 4 / IP-65 or NEMA 6 / IP-68

Measurement & Control

DESCRIPTION

The WINGEL FIT Paddle wheel flowmeter offers the ability to measure the flow of a vast variety of compounds. Paddle wheel flowmeters are also known as the insertion flowmeter with propeller shaped and compact. Each of the paddle wheel is tested and its accuracy shown to within 1 (one) percent of a full scale range reading with the proper and correct installation.

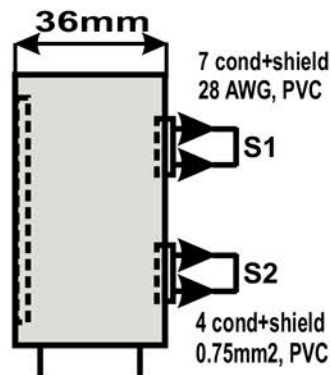
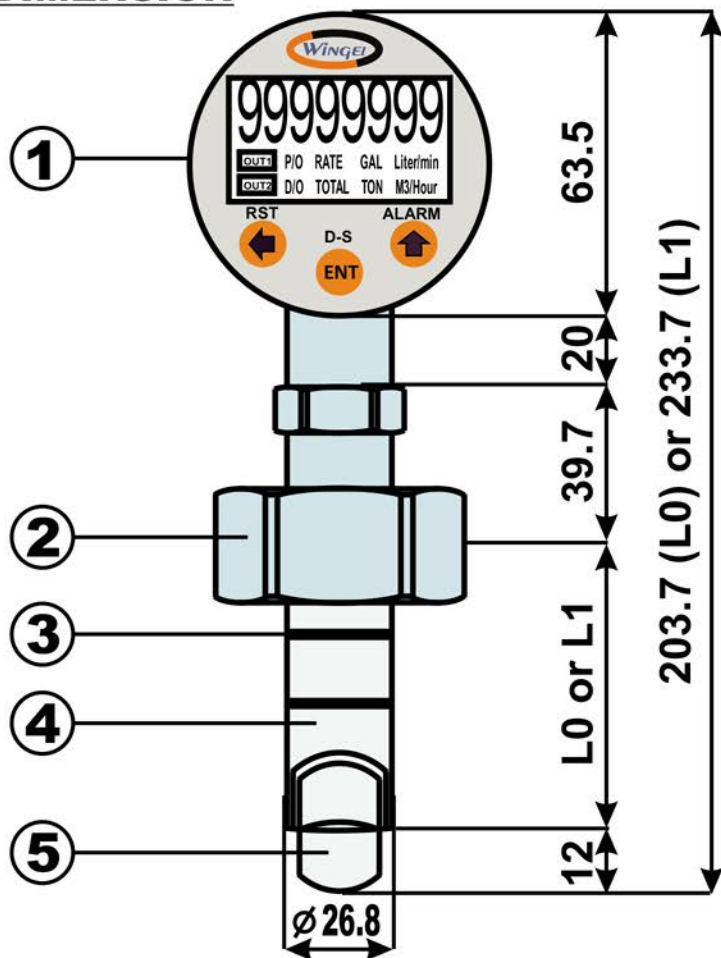
The Paddle wheel flowmeter can be installed either vertically or horizontally and it won't affect the device's performance.

The Flowmeter is ideal for applications where a high degree of accuracy is needed but cost is an important factor.

The Flowmeters are perfect for measuring clean water at Building Automation system, Cooling water system, Irrigations system, Water Treatment plant etc.

With Compact Flow Monitor and optional output of relay, 4-20 mA Transmitter and RS-485 Modbus, its will be a great choices for flow sensor in the Control System.

DIMENSION



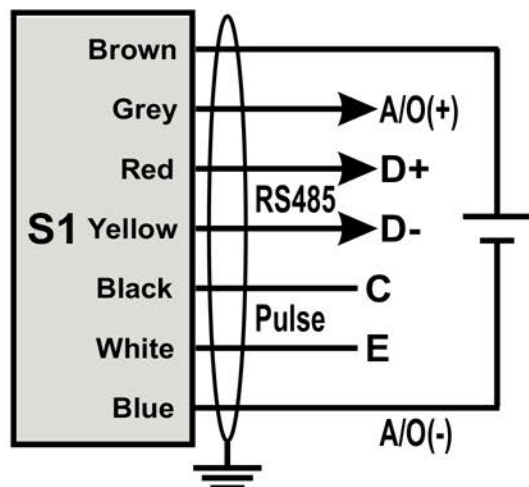
NO	DESCRIPTION
1	FLOW MONITOR COMPACT OUTPUT : 4-20 mA : RS485 Modbus : 2 x RELAYS POWER : 24 VDC
2	PROCESS CONNECTION THREAD, G1-1/4"
3	SEAL, VITON
4	BODY = PP or PVDF
5	ROTOR, PFA + MAGNET

L0 = 68.5 mm

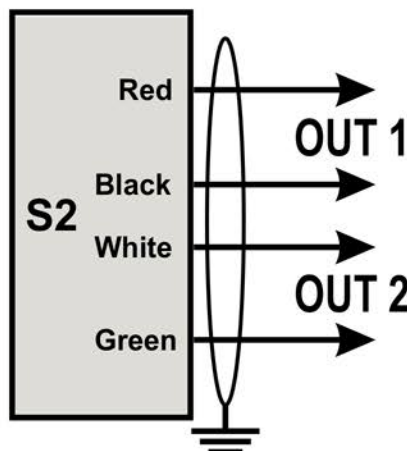
L1 = 98.5 mm

WIRING CONNECTION

Analog/RS-485/Pulse Output Type



Relay Output Type



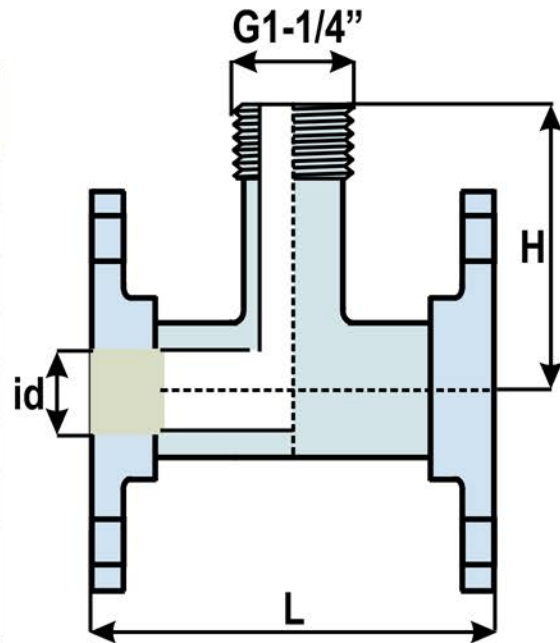
FITTING

The WINGEL FIT Paddle wheel flowmeter also offers Fitting to installed with the flowsensor to guarantee the correct installation and achieve the optimum accuracy of the flow measurement.

It have some model of the Fitting for customer to choose depend on their application.

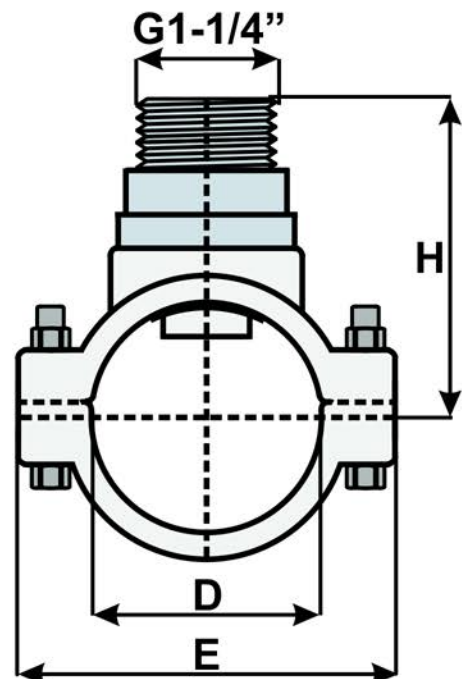
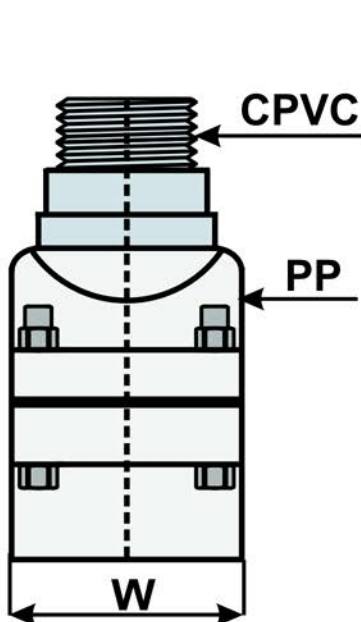
MODEL : STF - CODE-1 - CODE-2

CODE-1	CODE-2	SIZE	id (mm)	L (mm)	H (mm)	SENSOR
FJ (JIS 10K)	25	1"	28	112	79	L0
	30	1-1/4"	35	115.5	83	L0
	40	1-1/2"	43	128	83	L0
	50	2"	54	145.5	91.5	L0
FA (ANSI 150RF)	65	2-1/2"	65	171	98.5	L0
	80	3"	80	171	110	L0
	100	4"	100	237.5	126	L0
TEE Fitting = PVC Sch 80 (Standard) CPVC Sch 80 on Request						



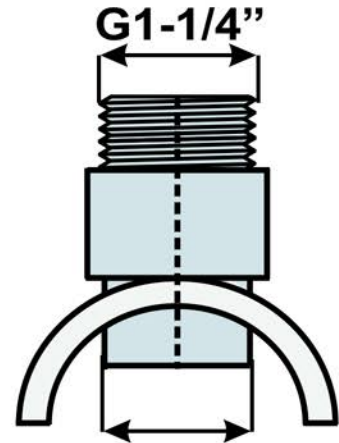
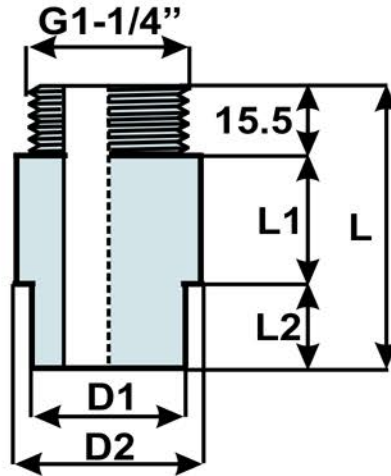
MODEL : SCS - CODE-1 - CODE-2

CODE-1	CODE-2	SIZE	D (mm)	E (mm)	H (mm)	W (mm)	SENSOR
A Note: Bolt & Nut= 304SS	50	2"	63	108	78	79	L0
	65	2-1/2"	75	117	81.5	88	L0
	80	3"	90	130	90	95	L0
	100	4"	110	158	100.5	98	L0
	150	6"	160	215	127	116	L0



MODEL : SPG - CODE-1

CODE-1	L (mm)	L1 (mm)	L2 (mm)	D1 (mm)	D2 (mm)	Drilling Hole	SENSOR
A = 1" - 4" (25 - 100)	68.5	43.5	9.5	40	50	40	L0
B = 6" - 24" (150 - 600)	98.5	51	32	40	50	40	L1



ORDERING CODE

MODEL	DESCRIPTION
FIT-P	PP Body Flow sensor
FIT-V	PVDF Body Flow sensor for Corrosive media

CODE 1	SIZE OF SENSOR
0	68.5 mm for Pipe Size from 1" to 4" (L0)
1	98.5 mm for Pipe Size from 6" to 24" (L1)

CODE 2	OUTPUT OPTIONS
0	No Output
2R	2 x Relay Output, SPST, 5A/250VAC , 7A/30VDC
1	Analog Output 1-5 VDC
2	Analog Output 4-20 mA
Y	RS-485 Modbus
I	Pulse Synchronize Input
T	Pulse Synchronize Totalizer

CODE 3	SEAL MATERIAL
F	FKM / Viton (Standard)
V	VMQ

CODE 4	ELECTRICAL CONNECTION
8	Cable, 8 Meter length
CL	Cable, Length Options

FIT-P-0-Y-F-8 Example



Measurement & Control

PT. WINGEL INSTRUMEN INDONESIA

Measurement & Control

Citra 8 - Aerolink Blok. L03 No. 25 - Citra Garden City
JAKARTA BARAT

Phone : 62-21-56955637, 56955638

Email : info@wingel.id / Webside : www.wingel.id